



Features & Benefits

- Sustainable and energy efficient (Cree) LED technology
- Warm and powerful, functional light
- IP68 rated for underwater installation
- Suited for a wide range of applications
- Easy to install
- Driver & IP68 wire-to-wire connector included

Applications

- Fountains, ponds, water gardens
- Swimming pools, spas, tubs
- Atmospheric underwater lighting


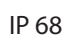


PowerEYE HP 360 Underwater

The PowerEYE High Performance (HP) 360 Underwater is a distinctly decorative and powerful, IP68 rated recessed uplighter.

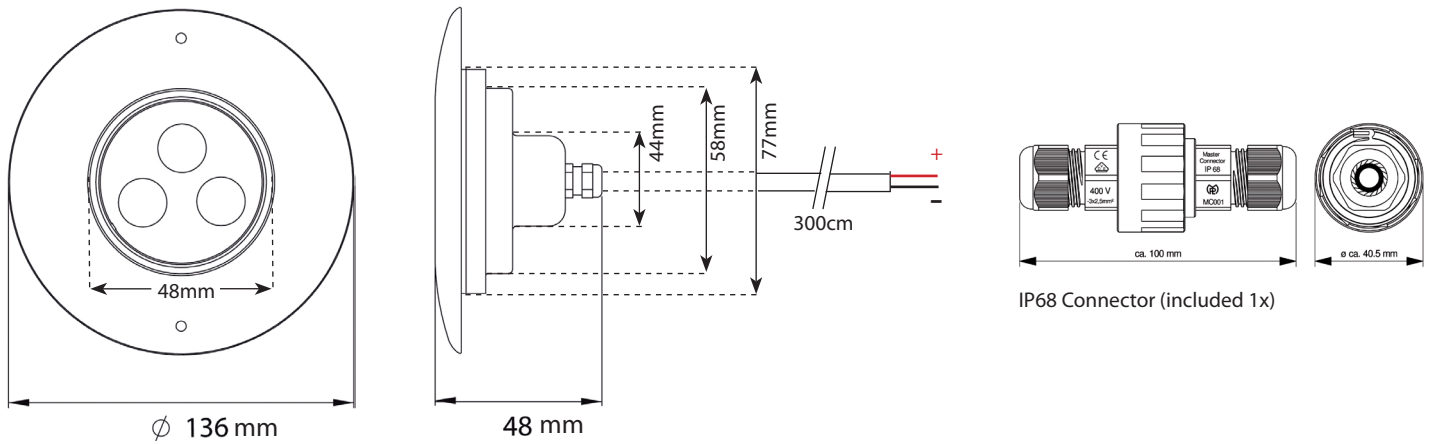
The product is suitable as a recessed underwater luminaire for fountains, ponds, water gardens, swimming pools etc. for atmospheric or underwater lighting. The luminaire comes with a 12V DC driver and IP68 wire-to-wire connector included, which makes it ready for use and simplifies its installation.

The PowerEYE HP 360 Underwater utilizes 3 powerful Cree LEDs, integrated into a stainless steel, waterproof IP68 housing. The 2700K warm white version delivers 644 lumens, emitted through a 40° lens.

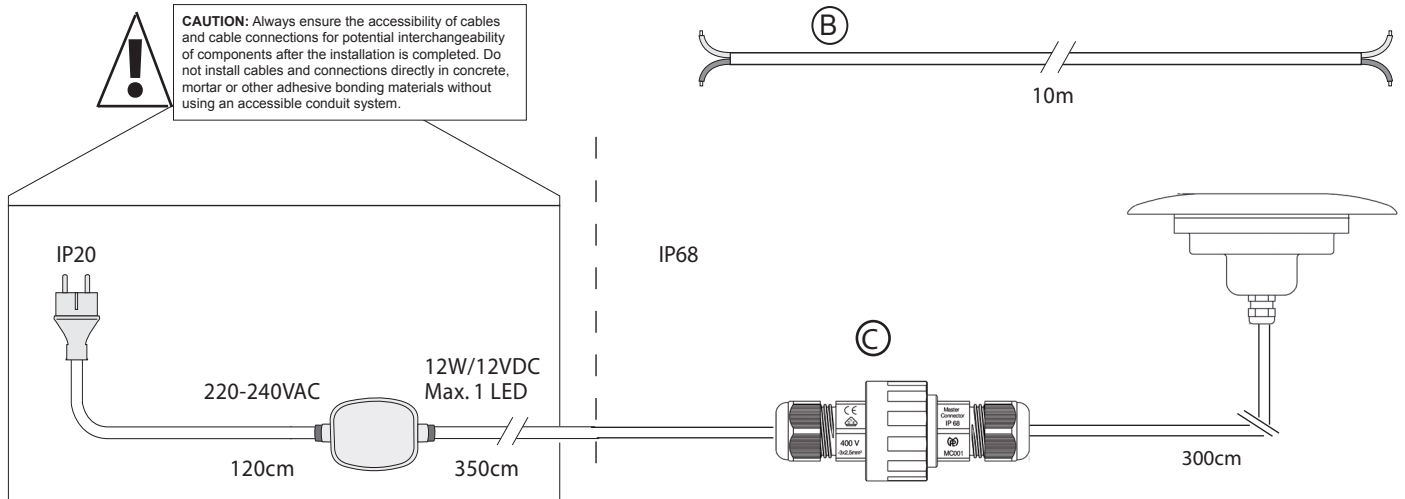
Specifications

Lumen Output	
Warm White 2700K	644 lm
Power Consumption	8W
Efficacy	80lm/W
Rated Life	up to 50.000 hours
LED	3x Cree
Color Temperature	2700K
Beam Angle	40°
Materials	Stainless Steel
Fixture Color(s)	Polished Stainless Steel
Surface Temperature	Max. 45°C
Operating Temperature	-10°C to +40°C
Voltage	12V DC
Warranty	3 Years Limited
Standards	   
Environment	IP68, outdoor rated & submersible < 10m depth
Installation	Under water only!

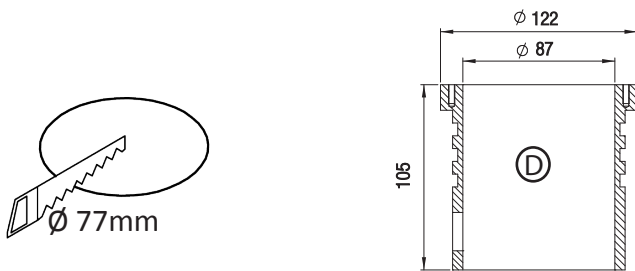
Dimensions



Example Connection Diagram



Installation



Ordering Information

Product	Description	Finish/LED Colour	Item Code
PowerEYE HP 360 Underwater 8W	LED Unit + Driver + IP 68 connector	Stainless Steel / Warm White LED 2700K	276.592.0U.42209

Accessory	#	Item Code	Accessory	#	Item Code	Accessory	#	Item Code
Connection Cable	10m	(B) AZ.20.00.05U	IP Connector 68	(C)	LSG 0000006040	Outer Casing	(D)	20.10.60.2V